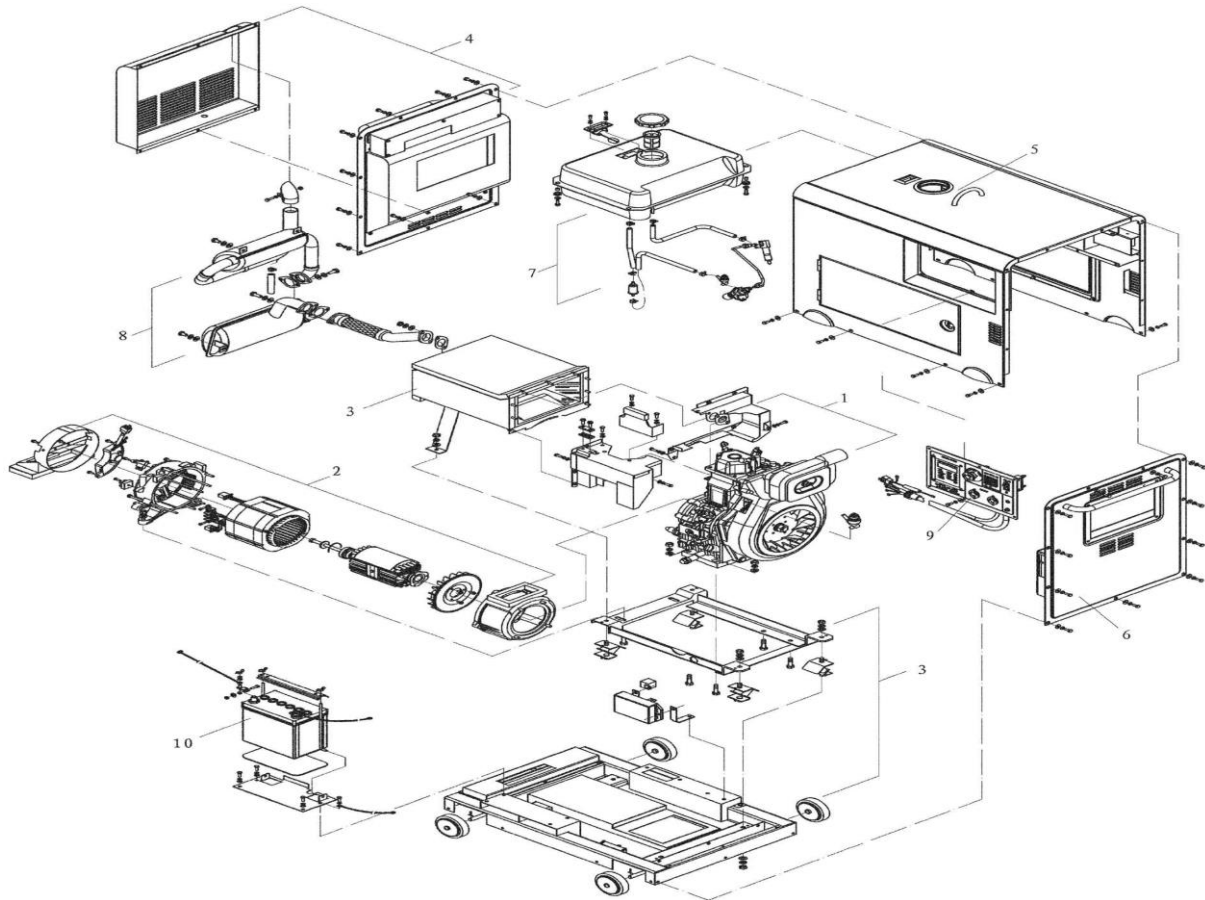
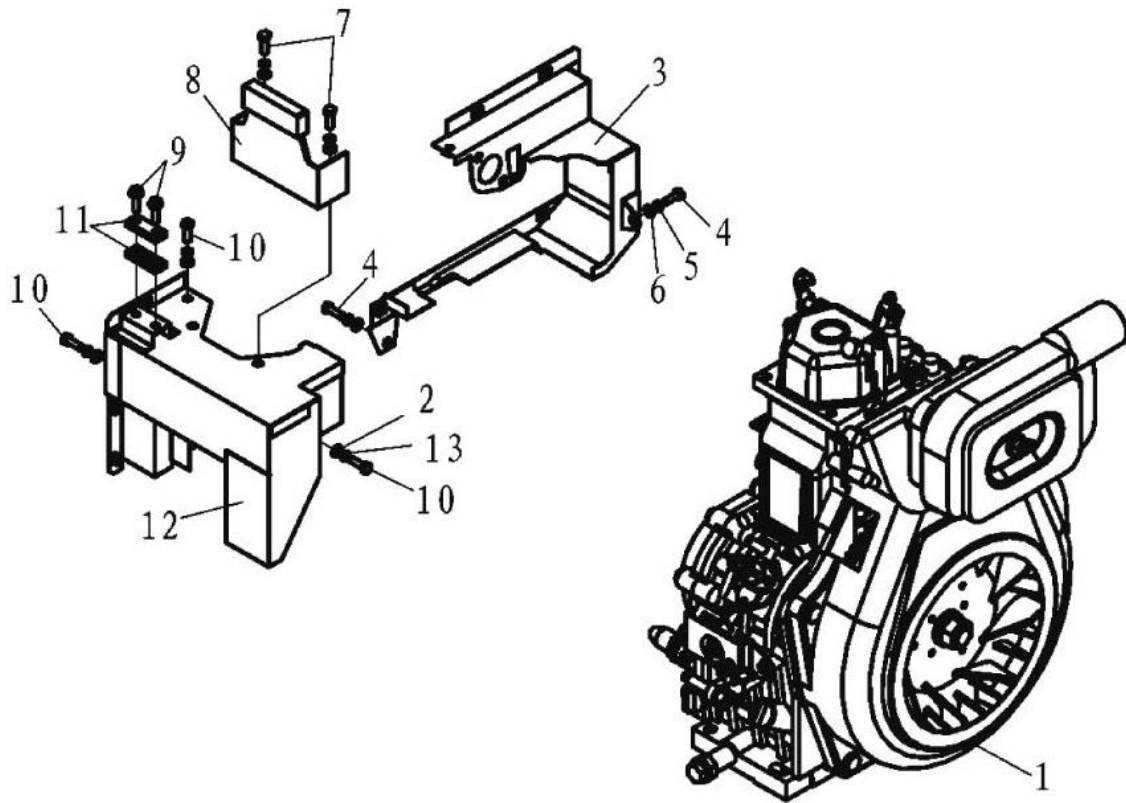


Artnr 570077 Strømaggregat KDE 6700 TA3 230 KM186FAGET



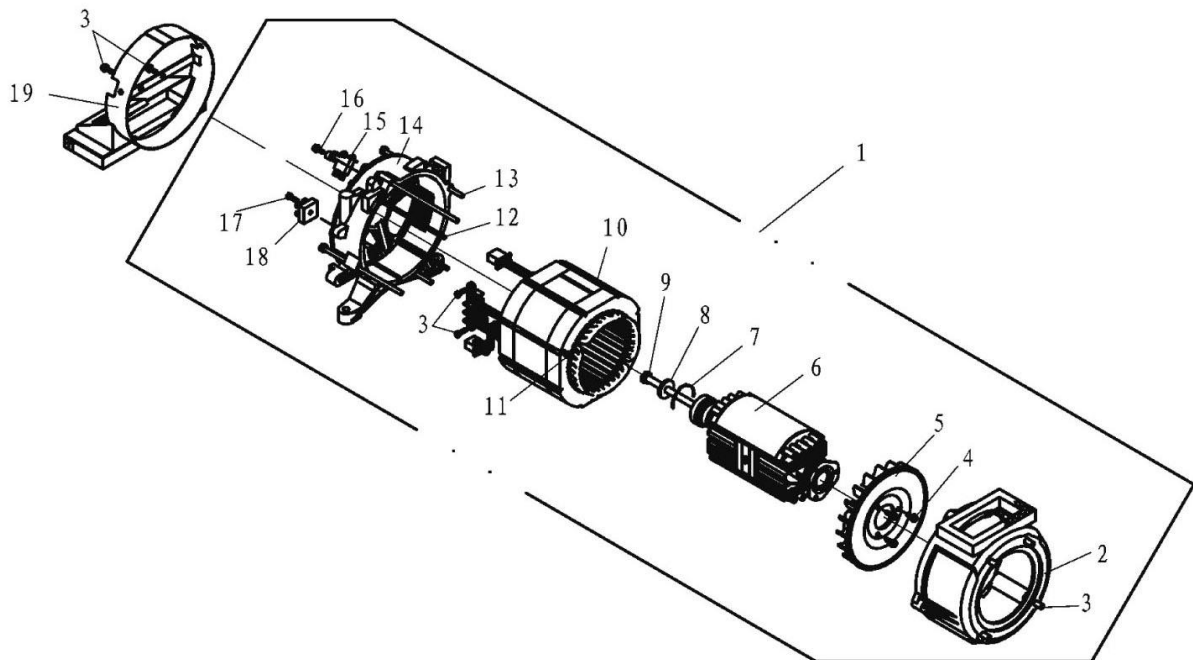
Pos	Lev art	GK art	Engelsk	Norsk	Svensk	Stk
1	KDE5000T-01000		Diesel engine assy	Motor	Motor	1
2	KDE6700T-02000	572145	Motor assy	Generator	Generator kompl	1
3	KDE6700T-03000		Chassis	Chassis	Chassi	1
4	KDE6700T-05000		Left side plate	Deksel, venstre	Kåpa, vänster	1
5	KDE6700T-08000		Casing unit	Deksel, stort	Kåpa, stor	1
6	KDE6700T-06000		Right side plate	Deksel, høyre	Kåpa, höger	1
7	KDE6700T-07000		Fuel system	Diesel system	Diesel system	1
8	KDE6700T-08000		Muffler assy	Lydemper, assy	Ljuddämpare, komp	1
9	KDE6700TA-13100		Control panel	Kontrollpanel	Kontrollpanel	1
10	KDE6700T-09200	571726	Battery	Batteri 36Ah	Batteri 36Ah	1
11	KM186F-07100	571373	Air cleaner	Lufffilter	Lufffilter	
12	KM178F-09200	571374	Oil filter	Oljefilter	Oljefilter	

Artnr 570077 Strømaggregat KDE 6700 TA3 230 KM186FAGET



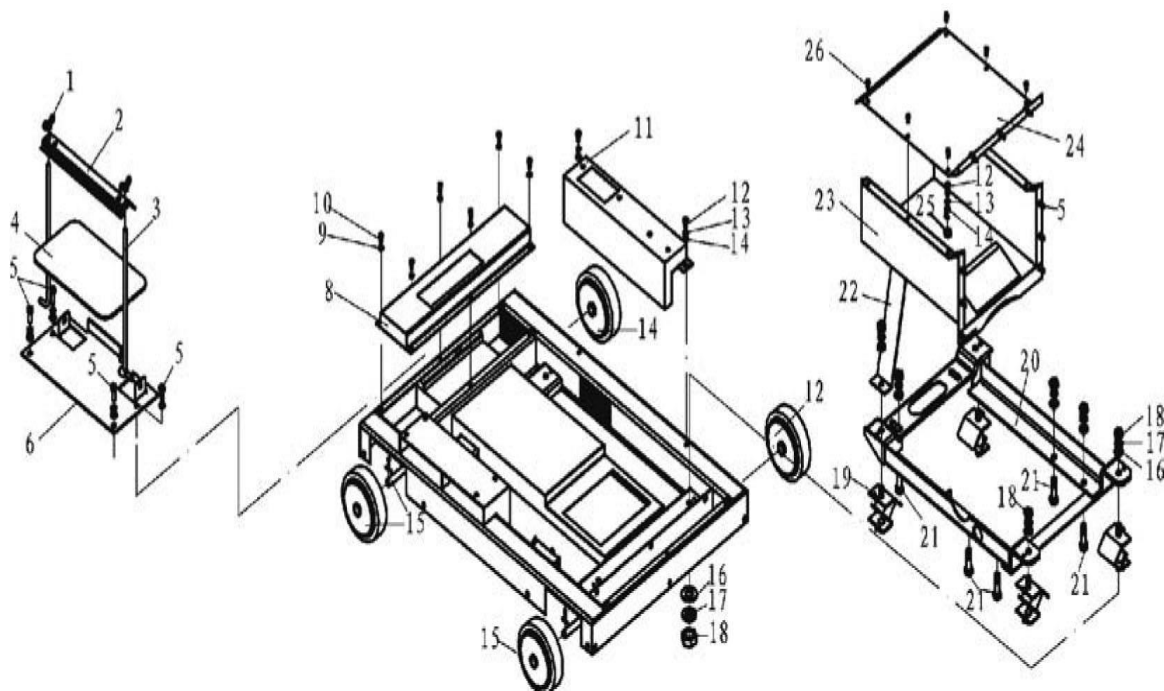
Pos	Lev art	GK art	Engelsk	Norsk	Svensk	Stk
1	KM186FAGD-00000		Engine KM186	Motor KM186	Motor KM186	1
2	GB/t97.1-2000		Gasket 6	Skive 6	Bricka 6	2
3	KDE5000T-01100		Front air guide plate	Kjøledeksel, front	Kylkåpa, front	1
4	GB/T5783-2000		Bolt M8x16	Bolt M8x16	Bult M8x16	2
5	GB/T93-1987		Washer 8	Skive 8	Bricka 8	2
6	GB/T97.1 2002		Flat gasket 8	Skive 8	Bricka 8	2
7	GB/T5783-2000		Bolt M8x20	Bolt M8x20	Bult M8x20	2
8	KDE5000T-01300		Buffer bracket unit	Brakett til gummidemper	Fäste till gummidämpare	1
9	GB/T5783-2000		Bolt M8x30	Bolt M8x20	Bult M8x20	2
10	GB/T5783-2000		Bolt M8x20	Bolt M8x20	Bult M8x20	2
11	KDE5000T-01500		Fuel pipe pressure plate			1
12	KDE5000T-01200		Rear air guide plate	Kjøledeksel, bak	Kylkåpa, bak	1
13	GB/T93-1987		Washer 8	Skive 8	Bricka 8	2

Artnr 570077 Strømaggregat KDE 6700 TA3 230 KM186FAGET



Pos	Lev art	GK art	Engelsk	Norsk	Svensk	Stk
1	KDE6700T-02000	572145	Motor unit	Generator 230V 3 fas.	Generator	1
2	8KM.034.01		Front cover motor	Deksel, front generator	Kåpa, front, generator	1
3	GB/T5783-2000		Bolt M8x30	Bolt M8x30	Bult M8x30	4
4	GB/5786-2000		Screw M5x12	Skrue M5x12	Skruv M5x12	7
5	8KM.435.01		Motor fan	Vifte, generator	Flåkthjul, generator	1
6	5KM.6741.01		Motor rotor	Rotor	Rotor	1
7	6204DU		Clip	Klips	Clips	1
8	8KM.214.009		Gasket	Skive	Bricka	1
9	8KM.202.009		Bolt	Bolt, lang	Bult, lång	1
10	5KM.6801.01		Motor stator	Stator	Stator	1
11	GB/810-1968		Nut M5	Mutter M5	Mutter M5	2
12	8KM.203.009		Bolt M5	Bolt M5	Bult M5	2
13	GB/T5783-2000		Bolt M6	Bolt M6	Bult M6	4
14	8KM.0342.01		Rear cover, motor	Deksel, bak generator	Kåpa, bak, generator	1
15	D104	571358 alt 571454	Carbon brush	Børstesett	Kolsats	1
16	GB/5766-2000		Screw M5x14	Skrue M5x14	Skruv M5x14	2
17	GB/5766-2000		Screw M5x16	Skrue M5x16	Skruv M5x16	3
18	3510	571359	Rectifier	Likeretter	Likriktare	1
19	KDE6700T-02100		Air guide cover	Kjøilde deksel,bak	Kylkåpa, bak	1

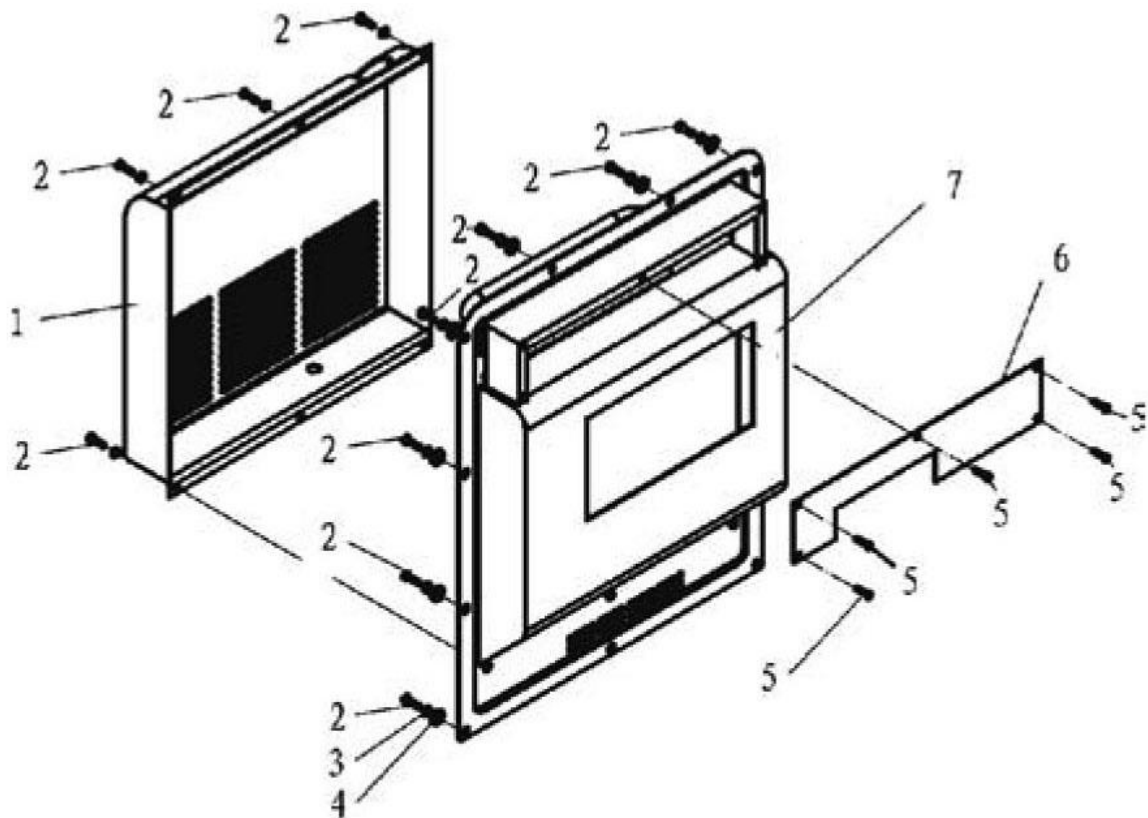
Artnr 570077 Strømaggregat KDE 6700 TA3 230 KM186FAGET



Pos	Lev art	GK art	Engelsk	Norsk	Svensk	Stk
1	GB/62-1988		Nut M6	Mutter M6	Mutter M6	2
2	KDE5000T-03003		Pressure plate of battery	Tversstag, batteriholder	Tvärstag, batterihållare	1
3	KDE5000T-03002		Fasten rod of battery	Festestag til batteri	Fäststag till batteri	2
4	KDE5000T-03018		Base plate for battery	Fotplate til batteri	Bottenplatta, batteri	1
5	GB/5783-2000		Bolt M6x20	Bolt M6x20	Bult M6x20	13
6	KDE5000T-03001		Support plate for battery	Støtteplate til batteri	Stödplatta, batteri	1
7	KDE6700T-03100		Chassis weldment	Chassis	Chassi	1
8	KDE6700T-03201		Tailstock air hole,motor	Bunnstykke, kjøling, generator	Bottenstykke, kyling, generator	1
9	GB/T93-1987		Washer 5	Skive 5	Bricka 5	6
10	GB/T5783-2000		Bolt M5x12	Bolt M5x12	Bult M5x12	6
11	KDE6700T-03300		AVR fixing plate	Feste til AVR-modul	Fäste till AVR	1
12	GB/T5783-2000		Bolt M6x20	Bolt M6x20	Bult M6x20	4
13	GB/T93-1987		Washer 6	Skive 6	Bricka 6	4
14	GB/T97.1-2002		Washer 6	Skive 6	Bricka 6	4
15	KDE5000T-03800		Castor	Hjul	Hjul	4
16	GB/T97.1-2002		Washer 10	Skive 10	Bricka 10	4
17	GB/T93-1987		Washer 10	Skive 10	Bricka 10	4
18	GB/T6170-2000		Nut M10	Mutter M10	Mutter M10	14
19	KDE5000T-03700		Damping block	Gummidemper	Gummidämpare	4
20	KDE6700T-03400		Frame base seat	Ramme	Ram	1
21	GB/T5783-2000		Bolt M10x40	Bolt M10x40	Bult M10x40	6
22	KDE5000T-03900		Bracket	Brakett	Fäste	1
23	KDE5000T-03600		Heat insulating box	Varme isolasjonsboks	Värme isolationsbox	1
24	KDE5000T-03013		Top for insulating box	Lokk til isolasjonsboks	Lock till isolationsbox	1
25	GB/T6170-2000		Nut M6	Mutter M6	Mutter M6	2

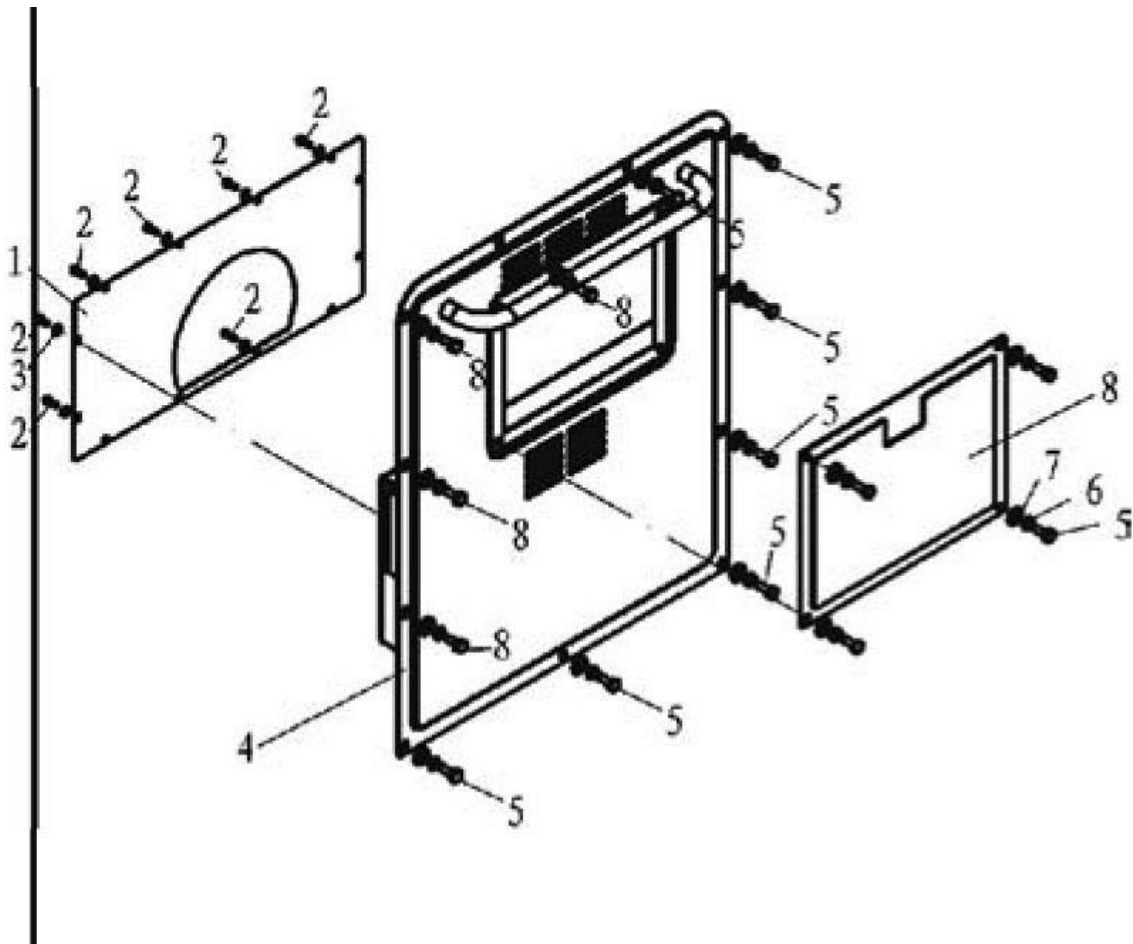
Artnr 570077 Strømaggregat KDE 6700 TA3 230 KM186FAGET

26	GB/T818-2000		Screw M6x12	Skrue M6x12	Skruv M6x12	6
----	--------------	--	-------------	-------------	-------------	---



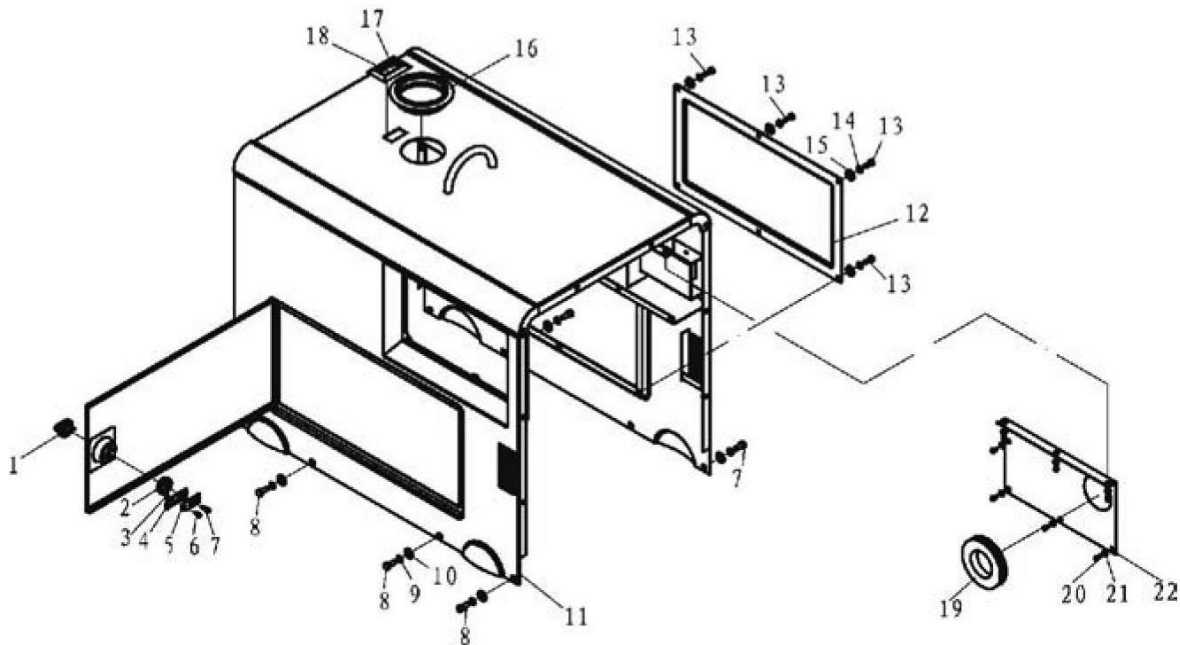
Pos	Lev art	GK art	Engelsk	Norsk	Svensk	Stk
1	KDE6700T-05109		Radiating plate	Gitter		1
2	GB/T5783-2000		Bolt M6x16	Bolt M6x16	Bult M6x16	17
3	GB/T93-1987		Washer 6	Skive 6	Bricka 6	17
4	GB/T96-1985		Washer 6	Skive, stor 6	Bricka, stor 6	11
5	GB/T5783-2000		Bolt M5x20	Bolt M5x20	Bult M5x20	5
6	KDE5000T-05105		Inlet cover plate	Deksel, luftinntak	Kåpa, luftintag	1
7	KDE6700T-05100		Left side plate weldment	Deksel, venstre	Kåpa, vänster	1

Artnr 570077 Strømaggregat KDE 6700 TA3 230 KM186FAGET



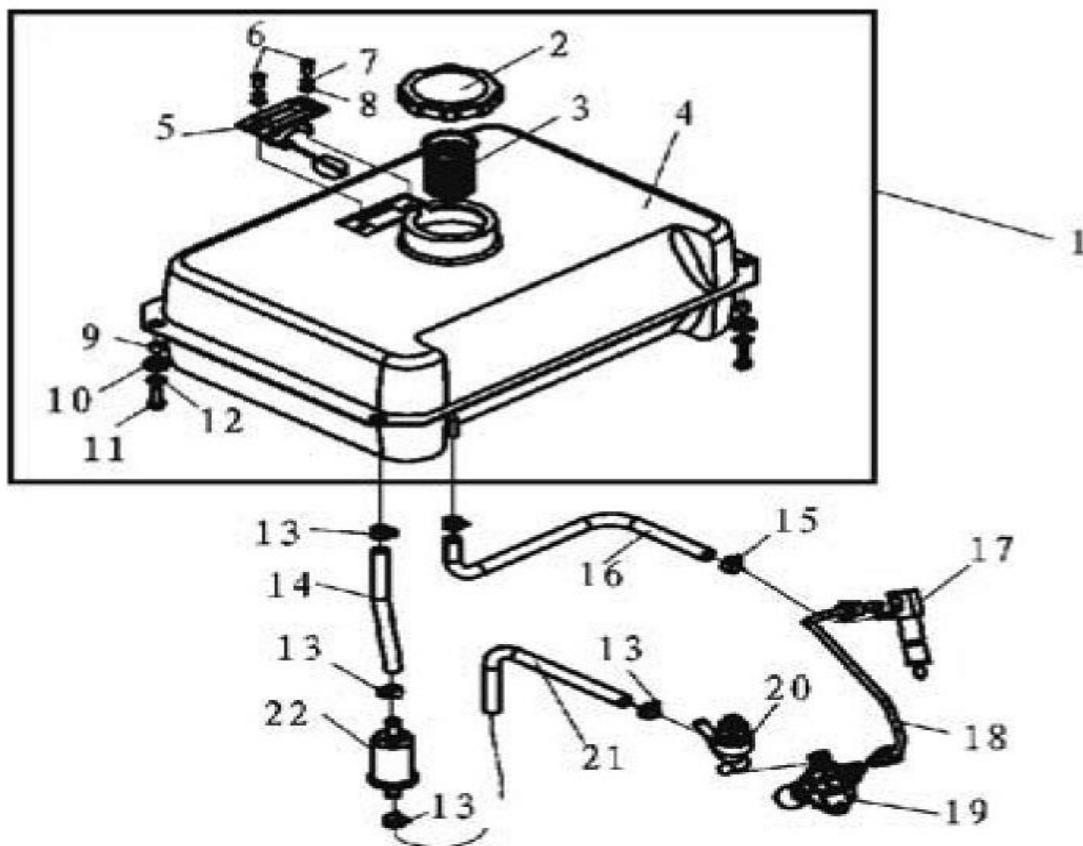
Pos	Lev art	GK art	Engelsk	Norsk	Svensk	Stk
1	KDE5000T-06300		Cover for air cleaner	Deksel til luftfilter	Lock till luftfilter	1
2	GB/T818-2000		Screw M5x12	Skrue M5x12	Skruv M5x12	10
3	GB/T93-1987		Washer 5	Skive 5	Bricka 5	10
4	KDE6700T-06100		Right side panel	Deksel, høyre	Kåpa, höger	1
5	GB/T5783-2000		Bolt M6x16	Bolt M6x16	Bult M6x16	15
6	GB/T93-1987		Washer 6	Skive 6	Bricka 6	15
7	GB/T5783-2000		Bolt M6x20	Bolt M6x20	Bult M6x20	15
8	KDE5000T-06200		Air cleaner cover plate	Deksel, luftfilter	Kåpa, luftfilter	1

Artnr 570077 Strømaggregat KDE 6700 TA3 230 KM186FAGET



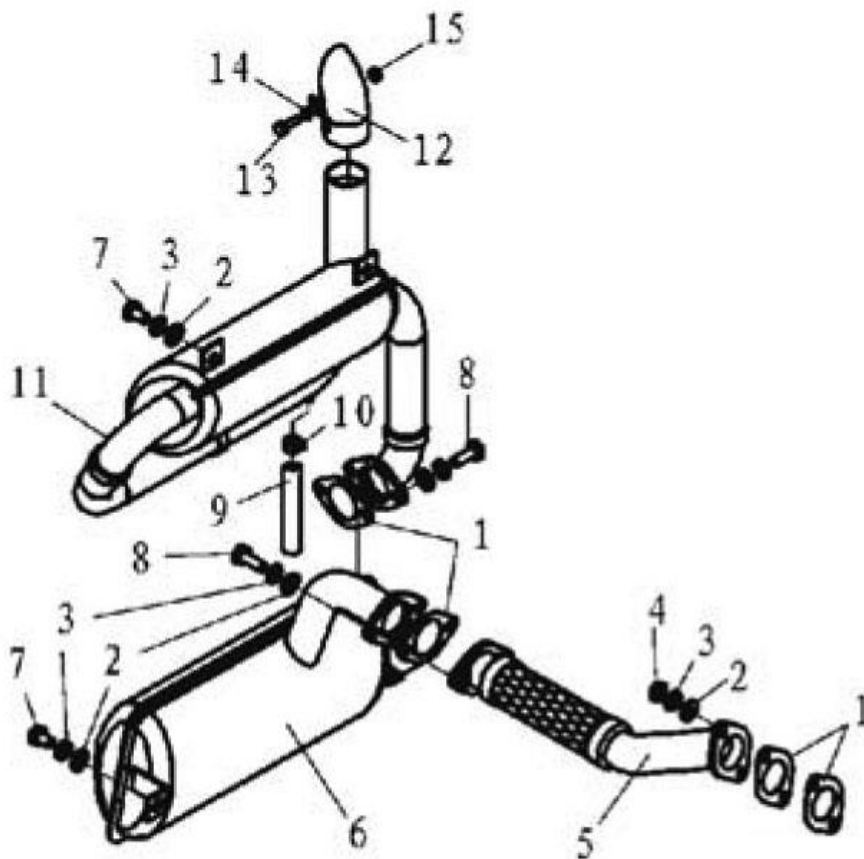
Pos	Lev art	GK art	Engelsk	Norsk	Svensk	Stk
1	5GF-LDE-05018		Door lock knob	Knopp	Knopp till dörr	1
2	5GF-LDE-05019		Cushion	Forring	Bussning	1
3	GB/T6170-2000		Nut M4	Mutter M4	Mutter M4	1
4	5GF-LDE-05022	571721	Door lock	Lås til dør	Dörrlås	1
5	LGF-LDE-05021		Reinforcement	Avstiver, dørlås	Förstärkning, dörrlås	1
6	GB/T818-2000		Screw M5x10	Skrie M5x10	Skruv M5x10	1
7	GB/T818-2000		Screw M5x15	Skruer M5x15	Skruv M5x15	1
8	GB/T5783-2000		Bolt M6x20	Bolt M6x20	Bult M6x20	8
9	GB/T93-1967		Washer 6	Skive 6	Bricka 6	8
10	GB/T96-2-2002		Big washer 6	Skive, stor 6	Bricka stor 6	8
11	KDE6700T-08000		Casing weldment	Chassis	Chassi	1
12	LGF-LDE-050150		Rear plate weldment	Bakplate	Bakplatta	1
13	GB/T5783-2000		Bolt M6x16	Bolt M6x16	Bult M6x16	6
14	GB/T93-1987		Washer 6	Skive 6	Bricka 6	6
15	GB/T96-2-2002		Big washer 6	Skive, stor 6	Bricka stor 6	6
16	LGF-LDE-05017		Damping cushion	Gummidemper, tank	Gummidämpare, tank	1
17	LGF-LDE-05024		Glass	Glass, tankmåler	Glas, tankmätare	1
18	LGF-LDE-05023		Rubber for glass	Gummi til glass	Gummi till glas	1
19	LGF-LDE-05025		Damping cushion, air cleaner	Gummidemper, luft filter	Gummidämpare, luftfilter	1
20	GB/T818-2000		Screw M5x12	Skruer M5x12	Skruv M5x12	7
21	GB/T93-1987		Washer 5	Skive 5	Bricka 5	7
22	KDE5000T-08307		Filter seal plate	Skille plate, filter inntak	Skiljeplatta, filter inntag	1

Artnr 570077 Strømaggregat KDE 6700 TA3 230 KM186FAGET



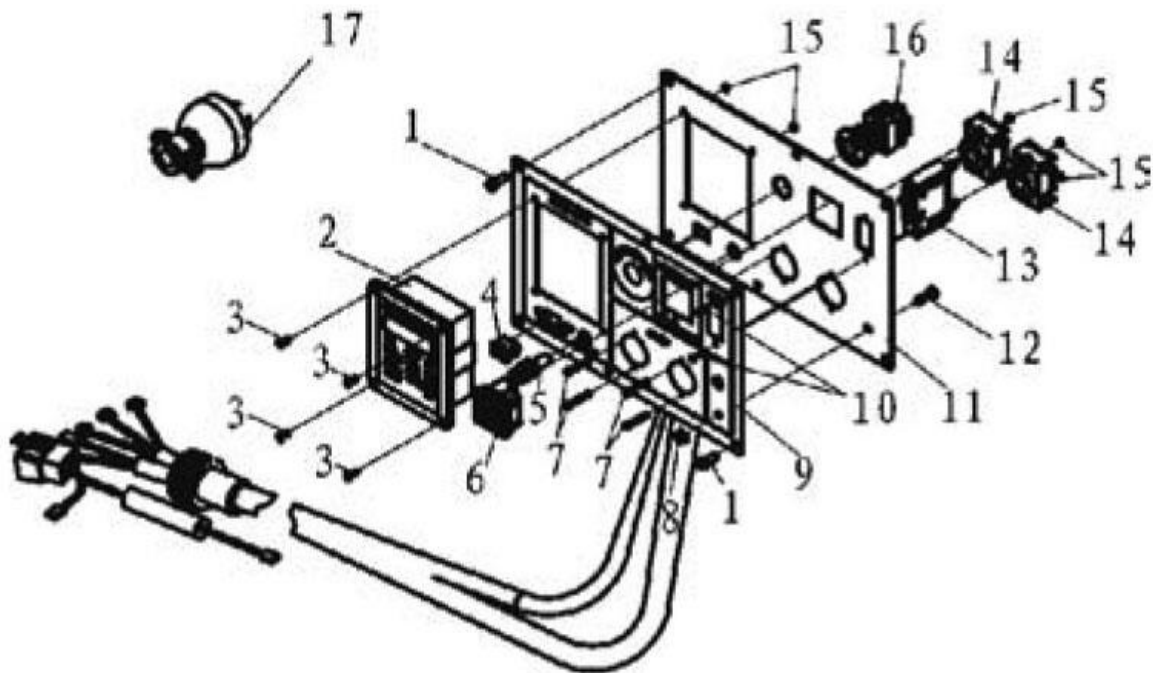
Pos	Lev art	GK art	Engelsk	Norsk	Svensk	Stk
1	KDE5000T-07500		Fuel tank assy	Tank,kompl	Tank komplett	1
2	KDE5000T-07200	571351	Fuel tank cover	Tanklokk	Tanklock	1
3	KDE5000T-07001	571352	Filter screen filling	Filter,tankfylling	Filter, tankfyllning	1
4	KDE5000T-07100		Tank	Tank	Tank	1
5	KDE5000T-07400	571460	Oil indicator	Tankmåler	Tankmätare	1
6	GB/T818-2000		Screw M5x12	Skrue M5x12	Skruv M5x12	2
7	GB/T93-1987		Washer 5	Skive 5	Bricka 5	2
8	GB/T97.1-2000		Washer 5	Skive 5	Bricka 5	2
9	KDE5000T-07002		Sheath	Plate	Platta	4
10	KDE5000T-07003		Damping sheath	Gummidemper	Gummidämpare	4
11	GB/T5783-2000		Bolt M6x30	Bolt M6x30	Bult M6x30	4
12	GB/T97.1.2000		Washer 6	Skive 6	Bricka 6	4
13	KDE5000T-07004		Clips 1	Slangeklemme	Slangklämna	4
14	KDE5000T-07005		Fuel delivery pipe	Slange	Slang	1
15	KDE5000T-07006		Clips 2	Slangeklemme	Slangklämna	2
16	KDE5000T-07007		Oil return pipe	Returslange	Returslang	1
17	KM186FA-13000	571433 alt 571355	Nozzle	Dyse	Munstycke	1
18	KM186FA-10501	571682	High pressure pipe	Dyserør	Rör till munstycke	1
19	KM186F-12000	571356	Fuel pump unit	Innsp.pumpe	Bränslepump	1
20	KM178FAGI-11200	571432	Fuel control valve	Diesel stopp ventil	Diesel stoppventil	1
21	KDE5000T-07005		Fuel delivery pipe	Slange	Slang	1
22	KGE12E-11010	571429	Fuel filter	Diesel filter	Diezelfilter	1

Artnr 570077 Strømaggregat KDE 6700 TA3 230 KM186FAGET



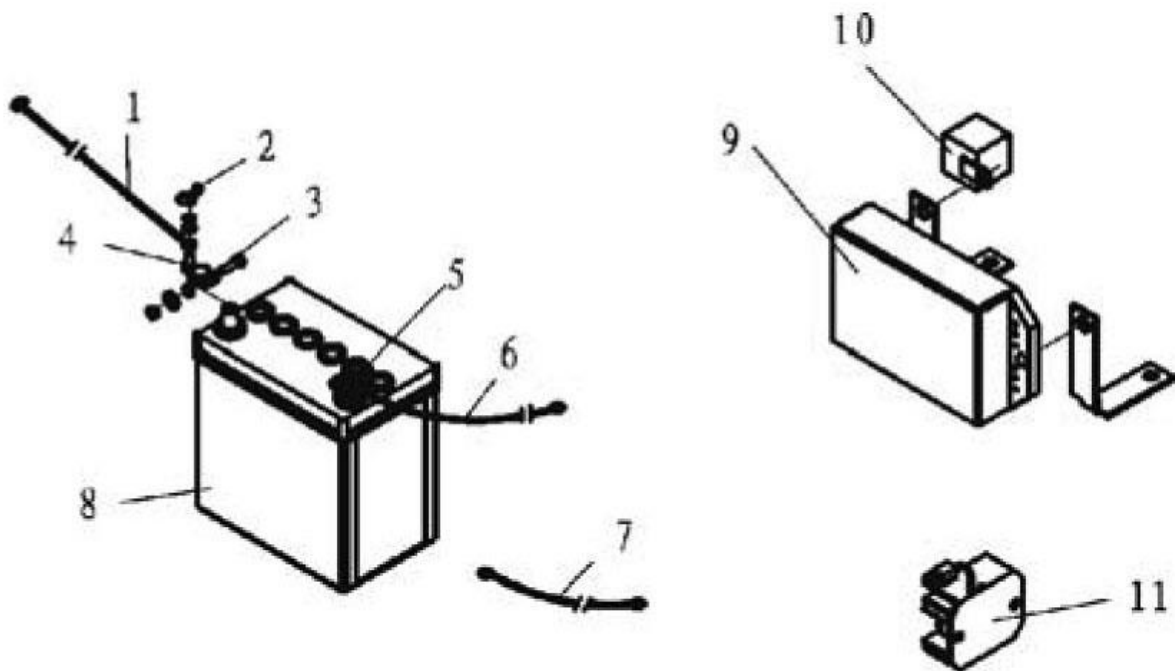
Pos	Lev art	GK art	Engelsk	Norsk	Svensk	Stk
1	KM186F-02015	571572	Exhaust pipe washer	Eksospakning	Avgaspackning	4
2	GB/T97.1-2000		Washer 8	Skive 9	Bricka 8	9
3	GB/T93-1987		Washer 8	Skive 9	Bricka 8	9
4	GB/T6170-2000		Nut M8	Mutter M8	Mutter M8	2
5	KDE5000T-08100		Exhaust pipe unit	Eksosør	Grenrør	1
6	KDE5000T-08200		First muffler	Lyddemper 1	Ljuddämpare 1	1
7	GB/T5783-2000		Bolt M8x16	Bolt M8x16	Bult M8x16	3
8	GB/T5783-2000		Bolt M8x30	Bolt M8x30	Bult M8x30	4
9	KDE5000T-08003		Outlet tube	Slange, kondens	Slang, kondens	1
10	KDE5000T-07004		Clip 1	Slangeklemme	Slangklämma	1
11	KDE5000T-08300		Second muffler	Lyddemper 2	Ljuddämpare 2	1
12	KDE5000T-08410		Return outlet	Eksosbøy	Avgasbøy	1
13	GB/T5783-2000		Bolt M6x30	Bolt M6x30	Bult M6x30	1
14	GB/T97.1-2000		Washer 6	Skive 6	Bricka 6	1
15	GB/T6170-2000		Nut M6	Mutter M6	Mutter M6	1

Artnr 570077 Strømaggregat KDE 6700 TA3 230 KM186FAGET



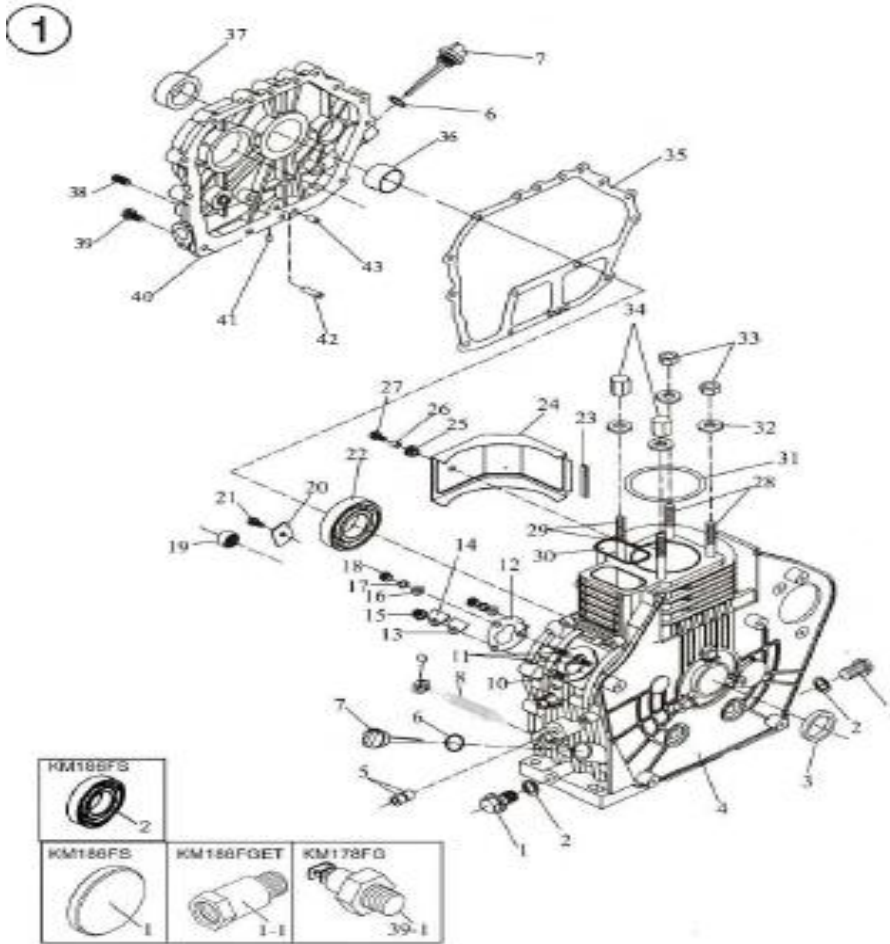
Pos	Lev art	GK art	Engelsk	Norsk	Svensk	Stk
1	GB/T818-2000		Screw M6x12	Skrue M6x12	Skruv M6x12	6
2	KGTR-12V	571592	Smart display screen	Smart panel	Smartpanel	1
3	GB/T819.1-2000		Screw M4x12	Skrue M4x12	Skruv M4x12	4
4	RF-1004 10A 250V		Switch	Bryter	Brytare	1
5	BLX 6*30	571364	AC Voltmeter	Voltmeter	Voltmeter	1
6	WZ-Z2/8.3A DC12V		DC receptable	12V uttak	12V uttag	1
7	GB/T818-2000		Screw M4x30	Skrue M4x30	Skruv M4x30	4
8	GB/T6177.1-2000		Nut M6	Mutter M6	Mutter M6	1
9	KDE6700TA3-13121H		PVC label	Klistremerke	Klistermärke	1
10	GB/T818-2000		Screw M4x10	Skrue M4x10	Skruv M4x10	2
11	KDE6700TA3-131101H		Control panel	Kontrollpanel	Kontrollpanel	1
12	D50/1620 23A	571365	Breaker 23A	Sikring 23A	Säkring 23A	1
14	CHZ/26A 250V		Receptable	Strømuttak	Strömottag	2
15	GB/T6170-2000		Nut M4	Mutter M4	Mutter M4	8
16	LAY37-11ZS		Quick Stopp button	Nødstop bryter		1
16a	JK427	572114		Tenningslås	Tändningslås	1
16b	JK427-1	572127		Tennings nøkkel	Tennings nøkkel	1
17	CYz/250V 26A		Plug	Plugg	Plugg	2

Artnr 570077 Strømaggregat KDE 6700 TA3 230 KM186FAGET



Pos	Lev art	GK art	Engelsk	Norsk	Svensk	Stk
1	KDE5000T-09303		Battery positive wiring	Plusskabel	Pluskabel	1
2	GB/62-1988		Wing nut	Vingemutter	Vingmutter	2
3	GB/T5783-2000		Bolt M6x25	Bolt M6x25	Bult M6x25	2
4	KDE5000T-09502		Wiring clip, positive	Pol-sko, +	Pol-sko, +	1
5	KDE5000T-09501		Wiring clip, negative	Pol-sko -	Pol-sko, -	1
6	KDE5000T-09302		Battery ground wire	Minuskabel	Minuskabel	1
7	KDE5000T-09301		Generator ground wire	Jordingskabel	Jordkabel	1
8	12V 36Ah	571726	Battery 36Ah	Batteri 36Ah	Batteri 36Ah	1
9	Ply-DAVR-50s	571361	AVR-module	AVR-modul	AVR-modul	1
10	HFV4		Relay	Rele	Relä	1
11	36AH	571372	Charging adjustor	Spenningsregulator	Spänningsregulator	1

Artnr 570077 Strømaggregat KDE 6700 TA3 230 KM186FAGET



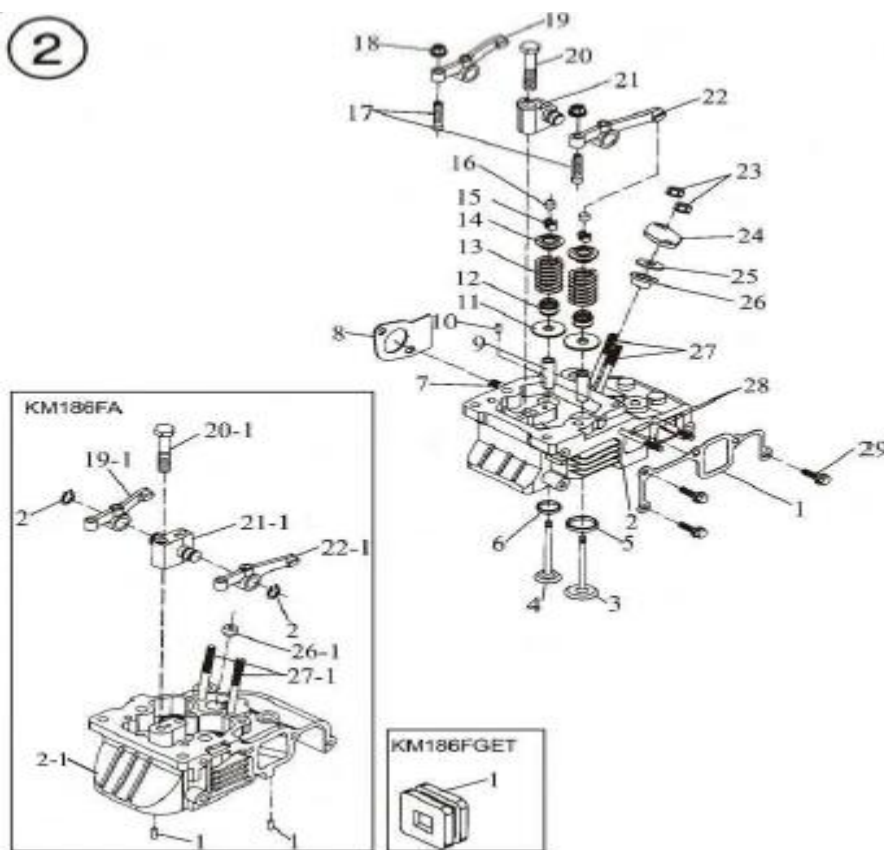
Pos	Lev art	GK art	Engelsk	Norsk	Svensk	Stk
0	KM186F-01000		Cylinder Block Assembly			
1	KM186F-01018		Drain Plug			2
2	KM186F-01100		Washer Unit of Drain Plug			2
3	GB/T9877.1-1988		Oil Seal SG35x50x8 (Rear)			1
4	KM186F-01001		Cylinder Block			1
	KM186FA-01001		Cylinder Block			1
5	GB/T290-1989		Needle Bearing 7941/8			2
6	GB/T1235-1976		O-Ring 22.5x2.4			2
7	KM178F-01002		Oil Dipstick			2
8	KM186F-11200		Fuel Controller Assem.			1
9	GB/T6173-2000		Nut M10x1.25			1
10	KM186F-01012		Forcing Stud of Fuel Injection Pump(Short)			1
11	KM186F-01011		Forcing Stud of Fuel Injection Pump(Long)			2
12	KM186F-10014		Fuel Injection Pump Washer			2

Artnr 570077 Strømaggregat KDE 6700 TA3 230 KM186FAGET

13	KM168F-10016		Joint Washer		1
14	KM168F-10015		Seal Plate		1
15	GB/T6177.1-2000		Nut M6		1
16	GB/T97.1-1985		Gasket6		2
17	GB/T93-1987		Gasket7		2
18	GB/T6170-2000		Nut M6		2
19	GB/T290-1989		Needle Bearing HK1512		1
20	KM168F-01009		Thrust Plate		1
21	GB/T5789-1986		Bolt M8x12		1
22	GB/T276-1994		Ball Bearing 6308/P5		1
23	KM178F-01203		Cushion blocking		1
24	KM186F-01211		Governor		1
25	KM178F-01201		Vibration isolation cushion block		1
26	KM178F-01202		Sheath		1
27	GB/T5789-1986		Bolt M6x18		1
28	KM186F-01003		Cylinder Head Stud Bolt(Short)		2
29	KM186F-01006		Cylinder Head Stud Bolt(Long)		2
30	KM186F-01008		Sheet Gasket		1
31	KM186F-01013	572153	Cylinder Head Shim		1
	KM186AF-01013		Cylinder Head Shim		1
32	KM186F-01005		Cylinder Head Nut Gasket		4
33	KM186F-01004		Cylinder Head Nut(Thin)		2
34	KM186F-01007		Cylinder Head Nut(Thick)		2
35	KM186F-01015	571673	Crankcase Cover Washer		1
36	KM186F-01014		Ball bearing		1
37	GB/T9877.1-1988		Oil Seal SG35x50x10(Front)		1
38	KM168F-01017		Hexagonal Internal Screw Plug		1
39	GB/T5789-1986		Bolt M8x33.5		16
39-1	KM178FG-01300	571569	Oil indicator	oljevakt	1
40	KM186F-01016a		Crankcase Cover		1
	KM186FS-01016		Crankcase Cover		1
41	KM168F-01021		Plunger		3
42	KM178F-09003		Oil conduit		1
43	GB/T119.1-2000		Pin8x12		2

Artnr 570077 Strømaggregat KDE 6700 TA3 230 KM186FAGET

2

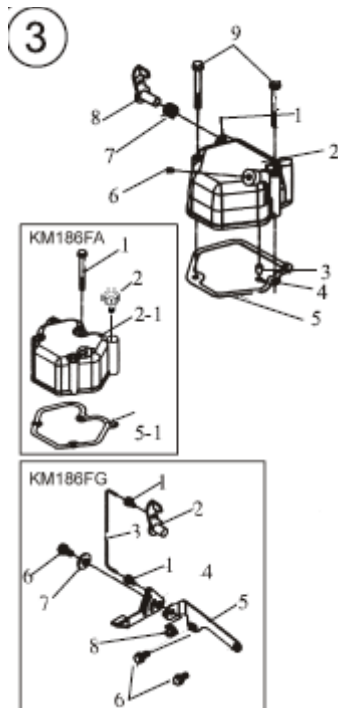


Pos	Lev art	GK art	Engelsk	Norsk	Svensk	Stk
0	KM186F-02000		Cylinder Head Assem.			
1	KM186F-02014		Intake Pipe Washer			1
2	KM186F-02202		Cylinder Head			1
2-1	KM186FA-02202		Cylinder Head			1
3	KM186F-02004		Intake Valve			1
4	KM186F-02003		Exhaust Valve			1
5	KM186F-02203		Inlet Valve Seat			1
6	KM186F-02204		Exhaust Valve Seat			1
7	GB/T899-1988		Stud AM8x20			2
8	KM186F-02015	571572	Muffler Shim	Eksokspakning		1
9	KM186F-02201		Valve Conduit			2
10	GB/T119.1-2000		Pin4x8			1
11	KM186F-02007		Valve Spring Gasket			2
12	KM186F-02019		Valve Conduit Oil Seal			2
13	KM186F-02005		Valve Spring			2
14	KM186F-02002		Valve Spring Seat			2
15	KM186F-02001		Valve Retaining Clip			4
16	KM186F-02016		Valve Adjusting Cushion			2
18	KM168F-02019		Valve clearance adjustment locking nut			2
17	KM186F-02008		Valve Clearance Adjusting Screw			2
19	KM186F-02012		Exhaust Valve Rocker			1

Artnr 570077 Strømaggregat KDE 6700 TA3 230 KM186FAGET

			Arm		
21	KM186F-02006		Rocker Arm Seat Assem.		1
22	KM186F-02013		Intake Valve Rocker Arm		1
19-1	KM186FA-02012		Exhaust Valve Rocker Arm		1
21-1	KM186FA-02006		Rocker Arm Seat Assem.		1
22-1	KM186FA-02013		Intake Valve Rocker Arm		1
20	KM186F-02017		Set Bolt of Rocker Arm Seat		1
20-1	KM186FA-02017		Set Bolt of Rocker Arm Seat		1
23	GB/T6177.1-2000		Nut M6		2
24	KM168F-02009		Fuel Injection Valve Retainer		1
25	KM168F-02018		Heat Insulator Gasket		1
26	KM168F-02011		Heat Insulator		1
26-1	KM170FA-02011		Heat Insulator		1
27	GB/T900-1988		Stud AM6x50		2
27-1	GB/T900-1988		Stud AM6x50		2
28	GB/T900-1988		Stud AM6x75		2
29	GB/T5789-1986		Bolt M6x25		3
KM186FGET-02000					
1	KM186FGET-02105		Rubber plug		1
KM186FA-02000					
1	GB/119.1-2000		Pin4x8		2
2	GB/T894.1-1986		Retainer Ring		2

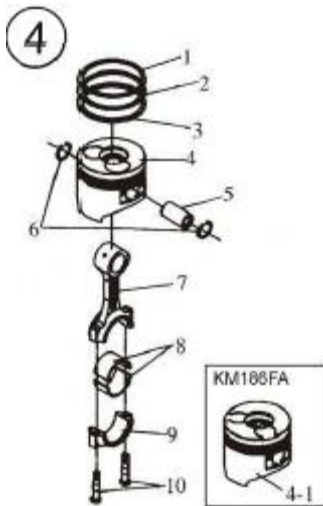
Artnr 570077 Strømaggregat KDE 6700 TA3 230 KM186FAGET



Pos	Lev art	GK art	Engelsk	Norsk	Svensk	Stk
0	KM186F-03000		Cylinder Head Cover Assem.			
1	GB/T119-1986		Pin3x16			
2	KM186F-03001		Cylinder Head Cover			1
2-1	KM186FA-03001		Cylinder Head Cover			1
3	KM168F-03007		Breather Seat			1
4	GB/T1235-1976		O-Ring12x1.9			1
5	KM186F-03003		Cylinder Head Cover Washer			1
5-1	KM186FA-03003	572152	Cylinder Head Cover Washer			1
6	KM168F-01021		Plunger			1
7	KM168F-03004		Decompression Spring			1
8	KM168F-03100		Decompression Shaft Assem.			1
9	GB/T5789-1986		Blot M6x70			2
	KM186FG-03000					
1	KM168FG-03012		Decompression Wire Sheath			2
2	KM168FG-03100		Decompression Shaft Assem.			1
3	KM186FG-03011		Decompression Wire			1
4	KM178FG-03009		Outer Decompression Handle			1
5	KM178FG-03008		Decompression Handle Support			1
6	GB/T5789-1986		Bolt M6x14			3
7	KM178FG-03013		Outer Decompression Handle Sheath			1

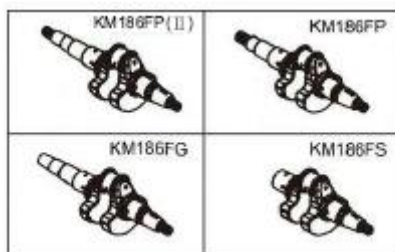
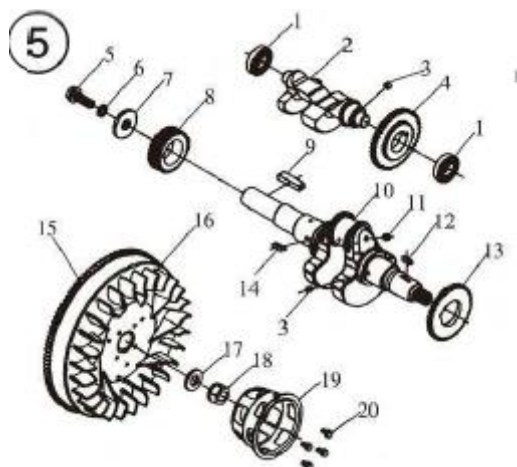
Artnr 570077 Strømaggregat KDE 6700 TA3 230 KM186FAGET

8	GB/T6170-2000 KM186FA-03000		Nut M6			1
1	GB/T5789-1986		Bolt M6x70			3
2	KM168F-03005		Filler screw plug			1



Pos	Lev art	GK art	Engelsk	Norsk	Svensk	Stk
0	KM186F-04000		Piston & Connecting Rod Assem.			
1	KM186F-04001		First Air Ring		1	
2	KM186F-04002		Second Air Ring		1	
3	KM186F-04100		Oil Ring Assem.		1	
4	KM186F-04003		Piston		1	
	KM186FS-04003		Piston		1	
4-1	KM186FA-04003	572158	Piston	Stempel KM 186	1	
5	KM186F-04004		Piston Pin		1	
6	GB/T893.1-1986		Retainer Ring23		2	
7	KM186F-04007		Connecting Rod Bolck		1	
9	KM186F-04006		Connecting Rod Cover		1	
10	KM186F-04008		Connecting Rod Bolt		2	
8	KM186F-04005	572159	Connecting Rod Shaft Bushing	Rådelager KM 186	2	
1-3	KM186F-04100T	572155	Piston ring units	Stempel ringsett		

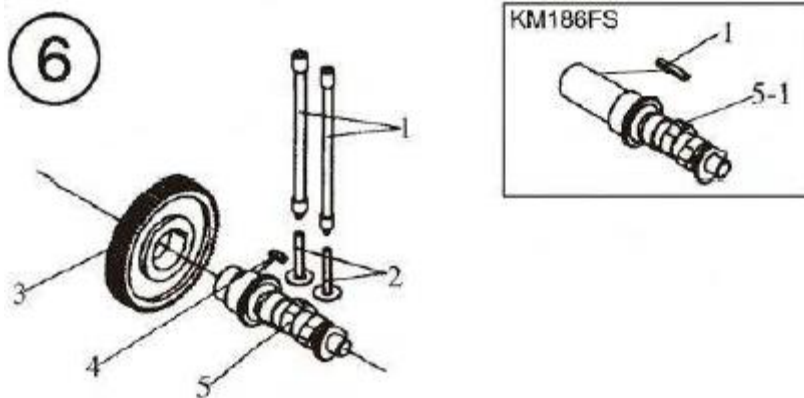
Artnr 570077 Strømaggregat KDE 6700 TA3 230 KM186FAGET



Pos	Lev art	GK art	Engelsk	Norsk	Svensk	Stk
0	KM186F-05000		Crankshaft Assem.			
1	GB/T276-1994		Ball Bearing 6203/p5			2
2	KM186F-05301		Balance Shaft			1
3	KM186F-05006		Key			2
4	KM186F-05004b		Timing Gear of Balance Shaft			2
5	KM186F-05007		Output End Set Bolt			1
6	GB/T93-1987		Gasket10			1
7	KM178F-05008		Output End Gasket			1
8	KM186F-05203		Crankshaft Timing Gear			1
9	GB/T1096-1979		Key 6x50			1
10	KM186F-05201		Crankshaft			1
	KM186FA-05201		Crankshaft			1
	KM186FG-05201		Crankshaft			1
	KM186FP-05201		Crankshaft			1
	KM186FP(II)-05201		Crankshaft			1
	KM186FS-05201		Crankshaft			1
11	GB/T308-1989		Steel Ball 1/4			1
12	GB/T1096-1979		Key5x12			1
13	KM186F-05004		Drive Gear of Balance Shaft			1
	KM186F-05004a		Crankshaft Sheath			
14	GB/T1096-1979		Key 5x14			1
15	KM186F-05102		Flywheel teeth			1
	KM186FS-05102		Flywheel teeth			1
16	KM186F-05101		Flywheel			1

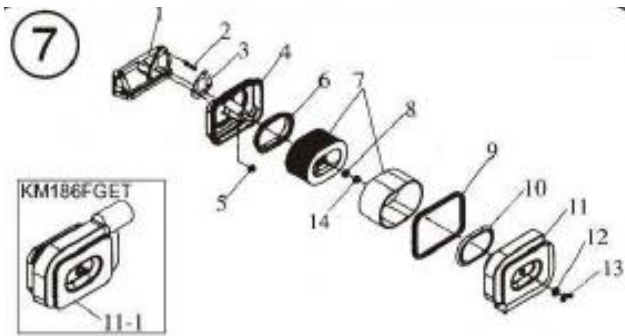
Artnr 570077 Strømaggregat KDE 6700 TA3 230 KM186FAGET

16	KM186FS-05101		Flywheel			1
16	KM186FGi-05105	573017	Wind wheel			1
17	KM186F-05003		Fly Wheel Nut Gasket			1
18	KM186F-05002		Flywheel Nut			1
19	KM186F-05001		Starting Ratchet Reel			1
20	GB/T5789-1986		Bolt M6x12			4

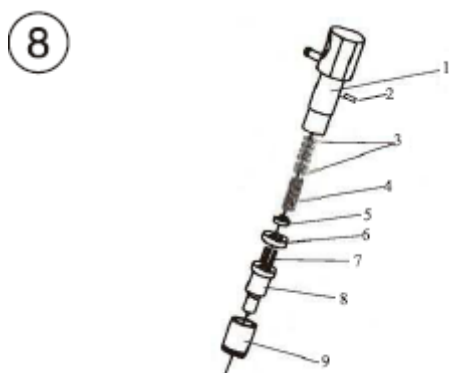


Pos	Lev art	GK art	Engelsk	Norsk	Svensk	Stk
0	KM186F-06000		Camshaft Assem.			
1	KM186F-06100		Valve Push Rod Assem.			2
2	KM186F-06003		Valve Tappet			2
3	KM186F-06002		Camshaft Timing Gear			1
4	GB/T1096-1979		Key 5x14			1
5	KM186F-06001		Camshaft			1
	KM186FA-06001		Camshaft			1
5-1	KM186FS-06001		Camshaft			1
	KM186FS-06000					
1	GB/T1096-1979		Key 8x40			1

Artnr 570077 Strømaggregat KDE 6700 TA3 230 KM186FAGET



Pos	Lev art	GK art	Engelsk	Norsk	Svensk	Stk
0	KM186F-07000		Air Intake System			
1	KM186F-07401		Inlet pipe			1
2	KM168F-07402		Tightening Bolt Of Air Cleaner			1
3	KM186F-07001		Air Cleaner Washer			1
4	KM186F-07300		Air Cleaner Bottom Case Assem.			1
5	GB/T6177.1-2000		Nut M6			4
7	KM186F-07100	571373	Air Cleaner Element Assem.			1
6	KM186F-07303		Shockproof Sheet Gasket II			1
8	KM186F-07101		Shockproof Unit			1
9	KM186F-07201		Shockproof Sheet Gasket I			1
10	KM186F-07203		Sheet Gasket			1
12	KM186F-07210		Shockproof Seal Assem.			1
11	KM186F-07200		Air Cleaner Cover			1
11-1	KM186FGET-07200		Air Cleaner Cover			1
13	GB/T62-1988		Nut M8			1
14	GB/T6177.1-2000		Nut M6			

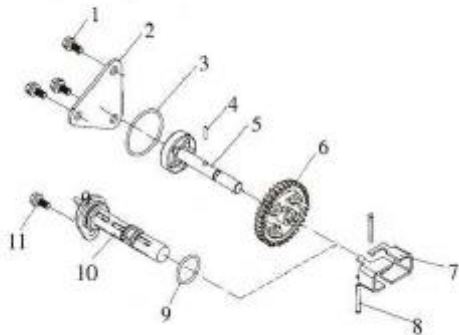


Pos	Lev art	GK art	Engelsk	Norsk	Svensk	Stk
0	KM186F-13000	571355	Fuel Injection Valve			

Artnr 570077 Strømaggregat KDE 6700 TA3 230 KM186FAGET

			Assembly			
1	KM170F-13200a		Fuel Injection Valve Block			1
2	GB/T879-1986		Pin 3*5			1
3	KM170F-13007		Volt-adjustment Washer		As Required	
4	KM170F-13006		Volt-adjustment Spring			1
5	KM170F-13005		Mandril			1
6	KM170F-13003		Intermediate Block			1
7	KM170F-13004		Locating Pin			2
8	KM186F-13100	571722	Fuel injection Nozzle			1
9	KM170F-13002		Nozzle Forcing Nut			1
	KM186FA-13000		Fuel Injection Valve Assembly			1

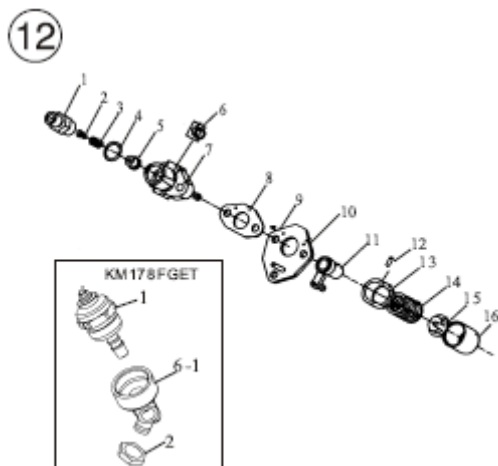
10



Pos	Lev art	GK art	Engelsk	Norsk	Svensk	Stk
0	KM186F-09000		Lubricating System			
1	GB/T5789-1986		Bolt M6x12			3
2	KM168F-09003		Lube Oil Pump Cover			1
3	GB/T3452.1-1992		O-Ring 34.5x1.8			1
4	GB/T119.1-1986		Pin 3x16			1
5	KM168F-09100		Engine Oil Pump Unit			1
6	KM178F-09002		Drive Gear of Lube Oil Pump			1
7	KM168F-11001		Flying Weight			2
8	KM168F-11002		Flying Weight Pin			2
9	GB/T1235-1976		O-Ring 25x2.4			1

Artnr 570077 Strømaggregat KDE 6700 TA3 230 KM186FAGET

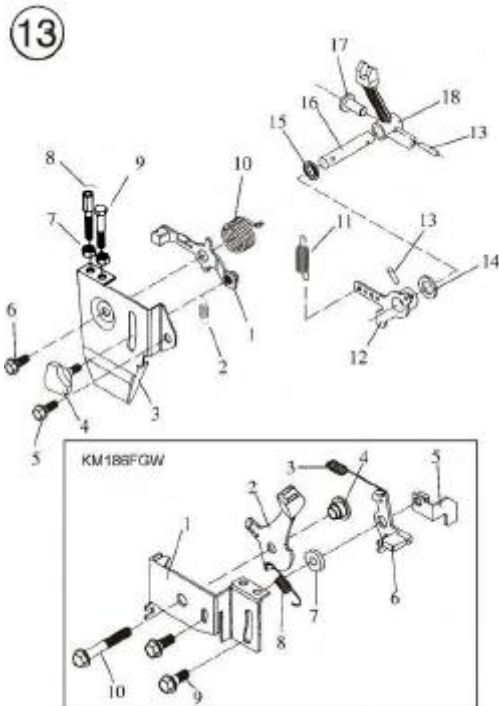
10	KM178F-09200	571374	Lube Oil Cleaner Assem.			1
11	GB/T5789-1986		Bolt M6x14			1



Pos	Lev art	GK art	Engelsk	Norsk	Svensk	Stk
0	KM186F-12000	571356	Fuel Injection Pump Assembly	Diselpumpe U/ magnetventil		
1	KM170F-12001		Fuel Delivery Valve Forcing Holder		1	
2	KM170F-12002		Dumping Block		1	
3	KM170F-12003		Fuel Delivery Valve Spring		1	
4	KM170F-12011		High-pressure Sheet Gasket		2	
5	KM170F-12100		Fuel Delivery Assembly		1	
6	KM170F-12400a		Intake oil pipe		1	
6-1	KM178FGET-12400		Intake oil pipe		1	
7	KM186F-12200		FIP Block Plunger Assembly		1	
8	KM170F-12004		Volt-adjusting Washer		As required	
9	GB/T879-1986		Pin 2x6		2	
10	KM170F-12005		FIP Connecting Plate		1	
11	KM170F-12006		Fuel Limiting Sheath Weldment Assem.		1	
12	GB/T879-1986		Pin 3x8		1	
13	KM170F-12007		Spring Support Block		1	
14	KM170F-12008		Plunger Spring		1	
15	KM170F-12009		Spring Holder		1	
16	KM170F-12300a		Tappet		1	
	KM186FAGET-12000	571709	Fuel Injection Pump	Diselpumpe M/		

Artnr 570077 Strømaggregat KDE 6700 TA3 230 KM186FAGET

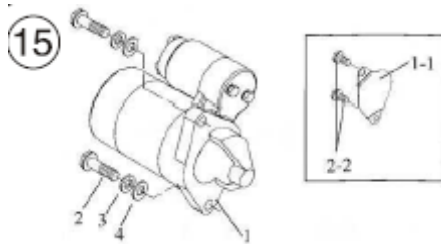
		Assembly	magnetventil		
1	DF1305A	Start Magnetic Valve		1	
2	GB/T808-1986	Nut M10x1		1	



Pos	Lev art	GK art	Engelsk	Norsk	Svensk	Stk
0	KM186F-11000		Governor & Controller Assem.			
1	KM168F-11300		Control Handle			1
2	KM168F-11006		Return Spring II			1
3	KM168F-11401		Control Handle Support			1
7	GB/T6172.1-2000		Nut M6			2
8	KM168F-11403		Pull Bolt			1
9	KM168F-11402		High Speed Limit Screw			1
4	KM168F-11301		Handle			1
5	GB/T5789-1986		Bolt M6x14			1
6	GB/T5789-1986		Bolt M6x18			1
10	KM168F-11005		Rerurn Spring I			1
11	KM186F-11007		Governor Spring			1
12	KM186F-11110		Governor Lever Weldment Assem.			1
13	GB/T117-2000		Pin3x22			2
14	KM168F-11003		Gasket			2
15	KM168F-11008		Lever Shaft Oil Seal			1
16	KM168F-11102		Lever Shaft			1
18	KM186F-11101		Fork			1
17	KM186F-11004		Governor Push Reel			1
	KM186FGW-11000					

Artnr 570077 Strømaggregat KDE 6700 TA3 230 KM186FAGET

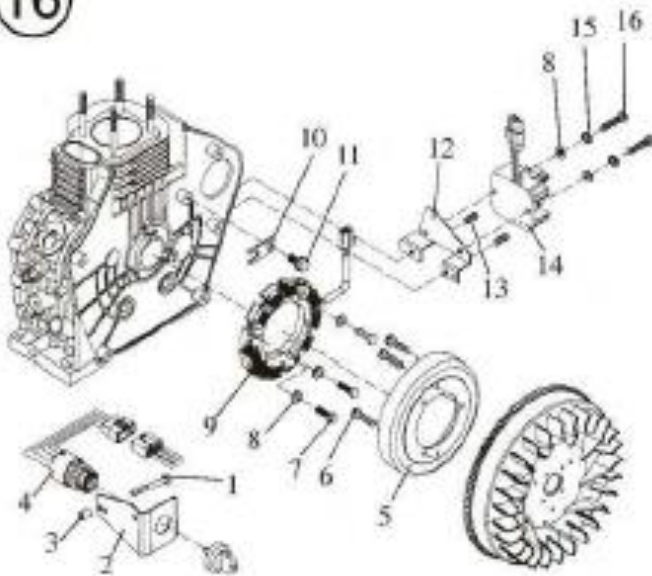
1	KM186FGW-11305		Control Handle Support			1
2	KM186FGW-11302		Control Handle			1
4	KM186FGW-11303		Control Handle Shaft			1
3	KM178FG-11005		Return Spring I			1
5	KM186FGW-11400		Retainer Weldment Assem.			1
6	KM186FGW-11007		Engine-Shutoff Handle			1
7	KM178FG-11006		Sheath			1
8	KM168F-11006		Return Spring II			1
9	GB/T5783-1986		Bolt M6×16			2
10	GB/T5782-2000		Bolt M6×30			1



Pos	Lev art	GK art	Engelsk	Norsk	Svensk	Stk
0	KM186F-15000		Starting Motor Assem			
1	KM186F-15100	571452	Starting Motor Assem			1
	KM186FS-15100		Starting Motor Assem			1
1-1	KM170F-15003		Engine motor hole cover board			1
2	GB/T5782-2000		Bolt M10×35			2
2-2	GB/T5782-2000		Bolt M10×12			2
3	GB/T93-1987		Spring Gasket10			2
4	GB/T97.1-1985		Gasket10			2

Artnr 570077 Strømaggregat KDE 6700 TA3 230 KM186FAGET

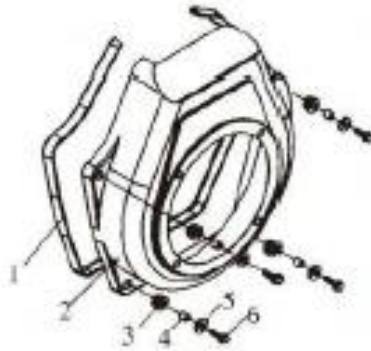
16



Pos	Lev art	GK art	Engelsk	Norsk	Svensk	Stk
0	KM186F-16000		Flywheel Alternator Assem.			
1	GB/T5789-1986		Bolt M6x83			2
2	KM168F-15001		Switch Board of Electric Starter			1
3	KM168F-15002		Long Gasket			2
4	KM168F-15200		Starting Key Assem.			1
5	KM168F-16100		Rotator Assem.			1
9	KM168F-16200		Stator Assem.			1
6	GB/T819.1-2000		ScrewM6x14			3
7	GB/T5782-2000		Bolt M6x20			3
8	GB/T97.1-1985		Gasket6			3
9	KM168F-16200	571702	Stator assembly			
10	KM168F-16001		Retainer			1
11	GB/T5789-1986		ScrewM6x12			1
12	KM168F-16301		Supprot I of Governor			1
13	GB/T818-1988		ScrewM6x14			2
14	KM168F-16400	571372	Volt Tegulator Assem.			1
15	GB/T93-1987		Gasket6			2
16	GB/T818-1988		BoltM6x14			2

Artnr 570077 Strømaggregat KDE 6700 TA3 230 KM186FAGET

17



Pos	Lev art	GK art	Engelsk	Norsk	Svensk	Stk
0	KM186F-17000		Fan Cover Assem.			
1	KM186F-17003		Cushion			1
2	KM186F-17100		Fan Cover Weldment Assem.			1
	KM186FS-17100		Fan Cover Weldment Assem.			1
2-1	KM186FGET-17100		Fan Cover Weldment Assem.			1
3	KM168F-17002		Cushion Sheath			4
4	KM168F-17001		Sheath			4
5	GB/T96-1985		Gasket6			4
6	GB/T5789-1986		BoltM6x22			4